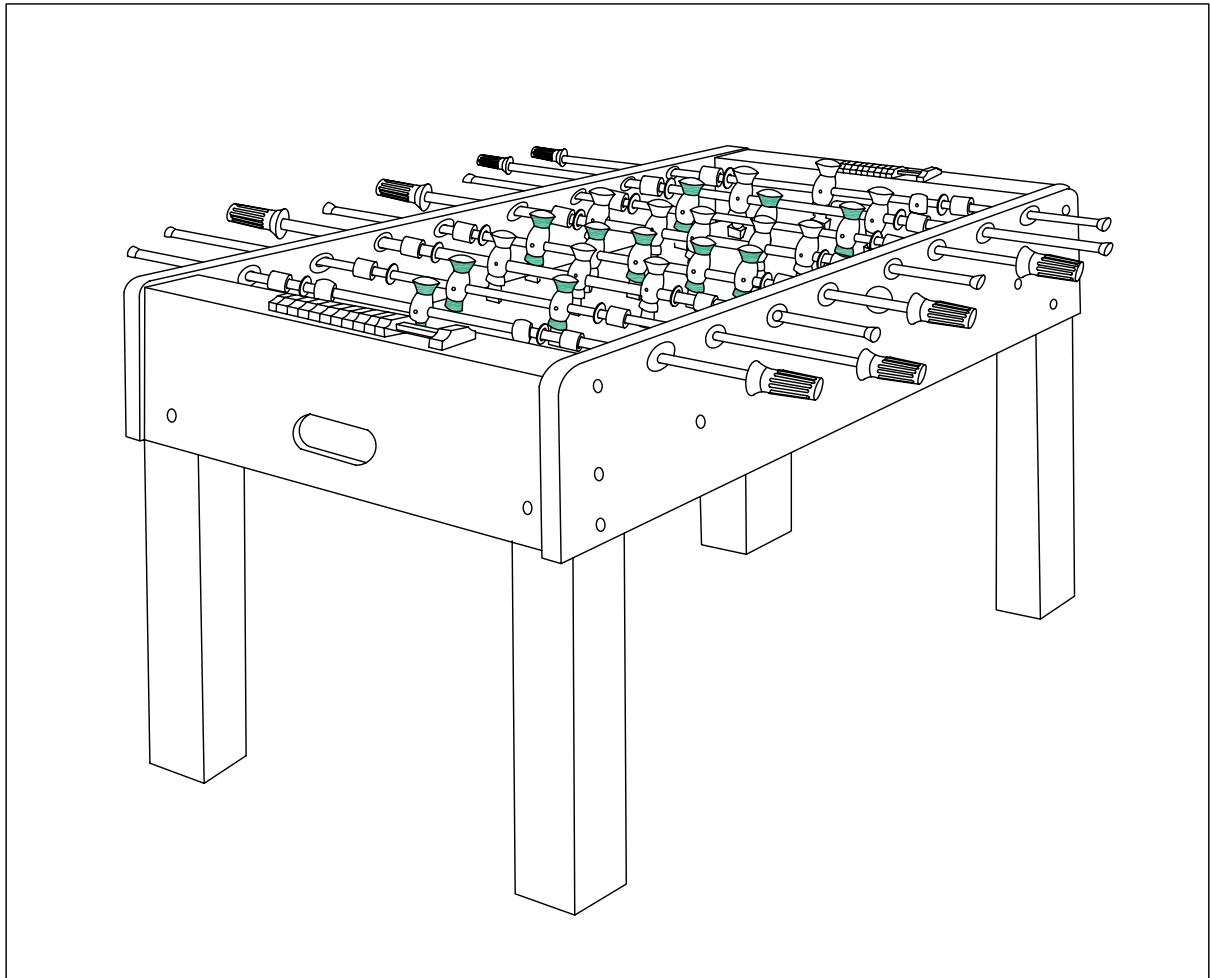
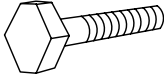
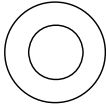


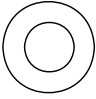
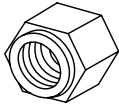
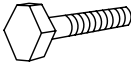
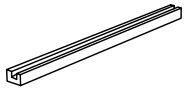
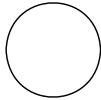
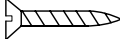




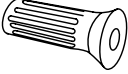

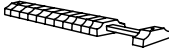
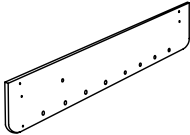
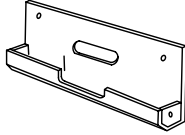
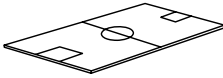
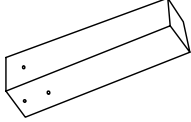
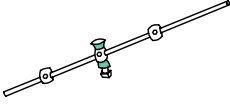
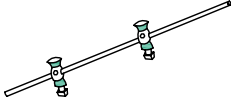
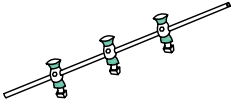


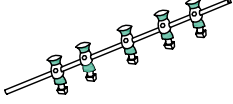
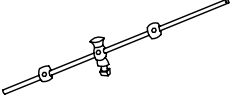
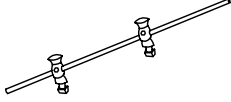
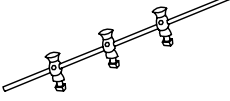
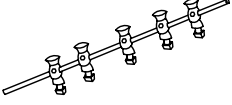
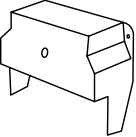
SOCCER TABLE



Parts List for MINI SOCCER TABLE

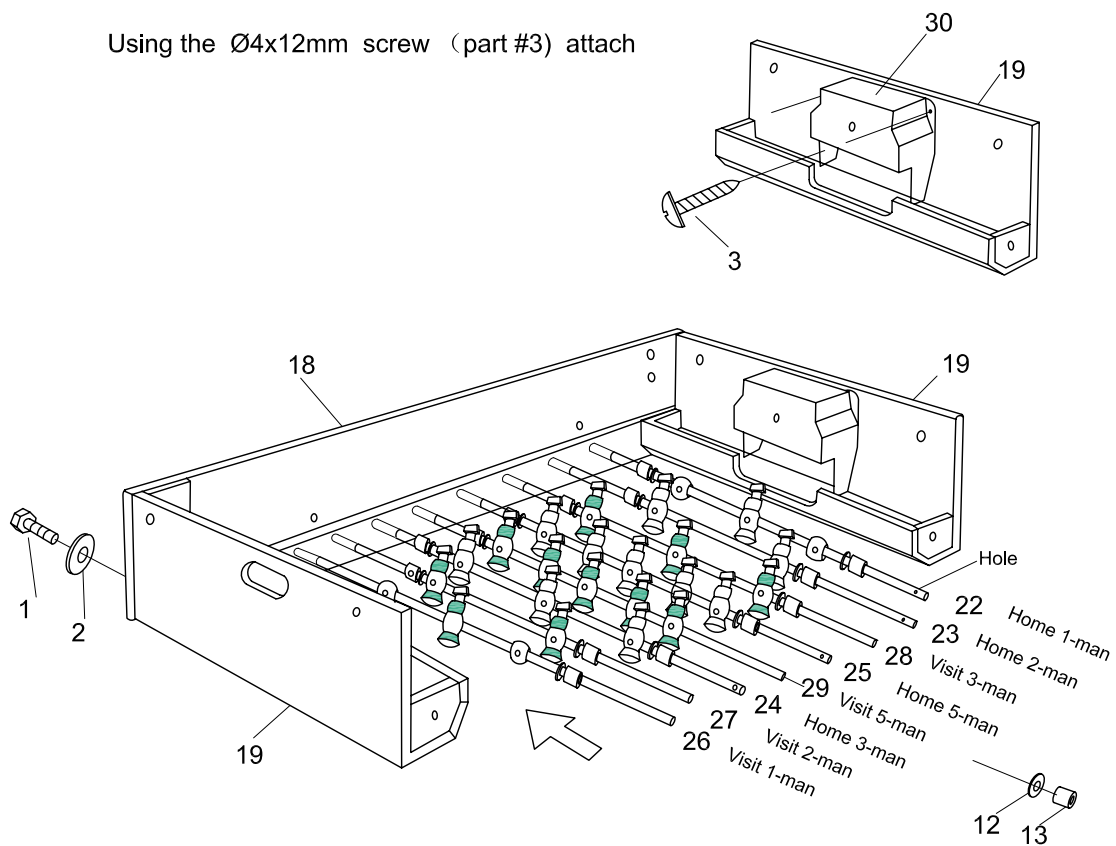
<p>#1</p>  <p>5/16"*2" Bolt 4 pieces</p>	<p>#2</p>  <p>5/16" Washer 16 pieces</p>	<p>#3</p>  <p>16mm Screw 12 pieces</p>	<p>#4</p>  <p>1/4" Support rod 2 pieces</p>
<p>#5</p>  <p>1/4" Washer 4 pieces</p>	<p>#6</p>  <p>1/4" Hex nut 4 pieces</p>	<p>#7</p>  <p>5/16"*1-1/8"" Bolt 12 pieces</p>	<p>#8</p>  <p>Field support brace 2 pieces</p>
<p>#9</p>  <p>Soccer ball 4 pieces</p>	<p>#10</p>  <p>F4*1" Screw 4 pieces</p>	<p>#11</p>  <p>Wrench 4 pieces</p>	<p>#12</p>  <p>Rod washer 16 pieces</p>
<p>#13</p>  <p>Sponge ring 16 pieces</p>	<p>#14</p>  <p>Triangle insert 4 pieces</p>	<p>#15</p>  <p>Handle 8 pieces</p>	<p>#16</p>  <p>End cap 8 pieces</p>
<p>#17</p>  <p>Slide soccer 2 pieces</p>	<p>#18</p>  <p>Slide Panel 2 pieces</p>	<p>#19</p>  <p>End panel 2 pieces</p>	<p>#20</p>  <p>Playing surface 1 piece</p>
<p>#21</p>  <p>Leg 4 pieces</p>	<p>#22</p>  <p>Home 1-man rod 1 piece</p>	<p>#23</p>  <p>Home 2-man rod 1 piece</p>	<p>#24</p>  <p>Home 3-man rod 1 piece</p>

Parts List for MINI SOCCER TABLE

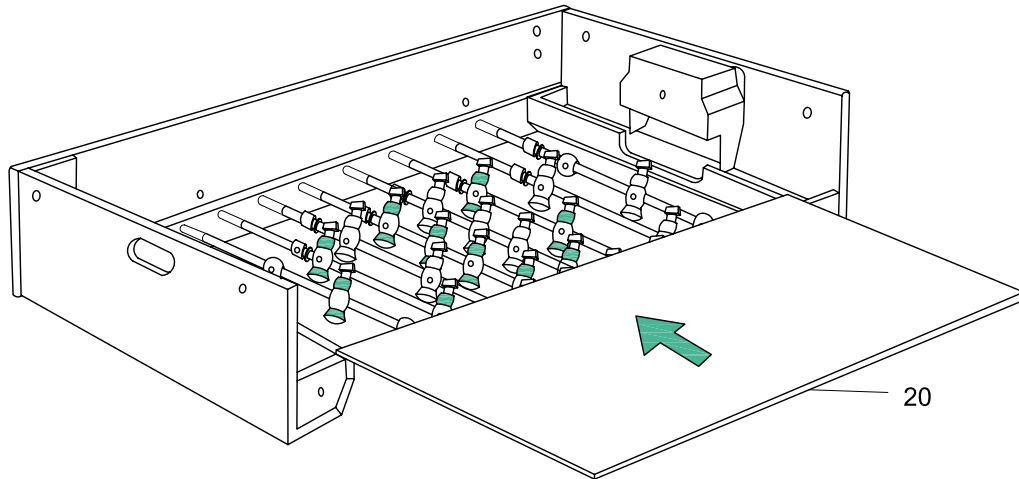
<p>#25</p>  <p>Home 5-man rod 1 piece</p>	<p>#26</p>  <p>Visit 1-man rod 1 piece</p>	<p>#27</p>  <p>Visit 2-man rod 1 piece</p>	<p>#28</p>  <p>Visit 3-man rod 1 piece</p>
<p>#29</p>  <p>Visit 5-man rod 1 piece</p>	<p>#30</p>  <p>Ball holder 2 pieces</p>		

STEP 1:

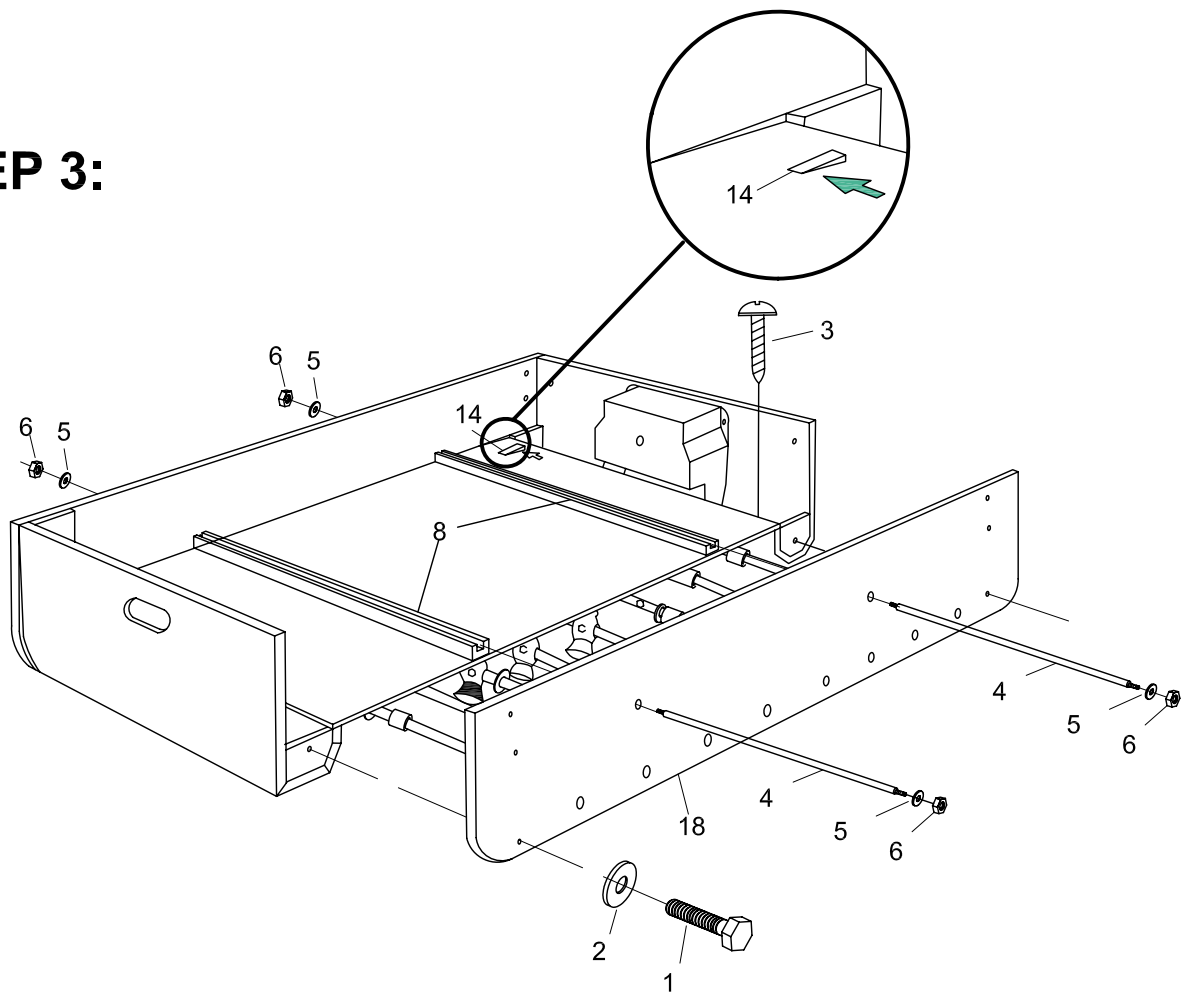
Using the $\varnothing 4 \times 12 \text{mm}$ screw (part #3) attach



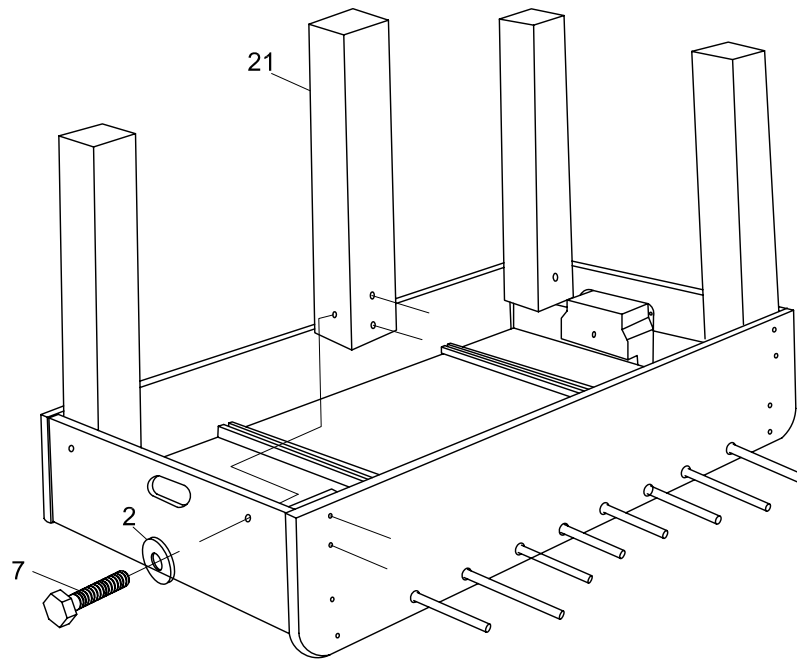
STEP 2:



STEP 3:



STEP 4:



STEP 5:

